

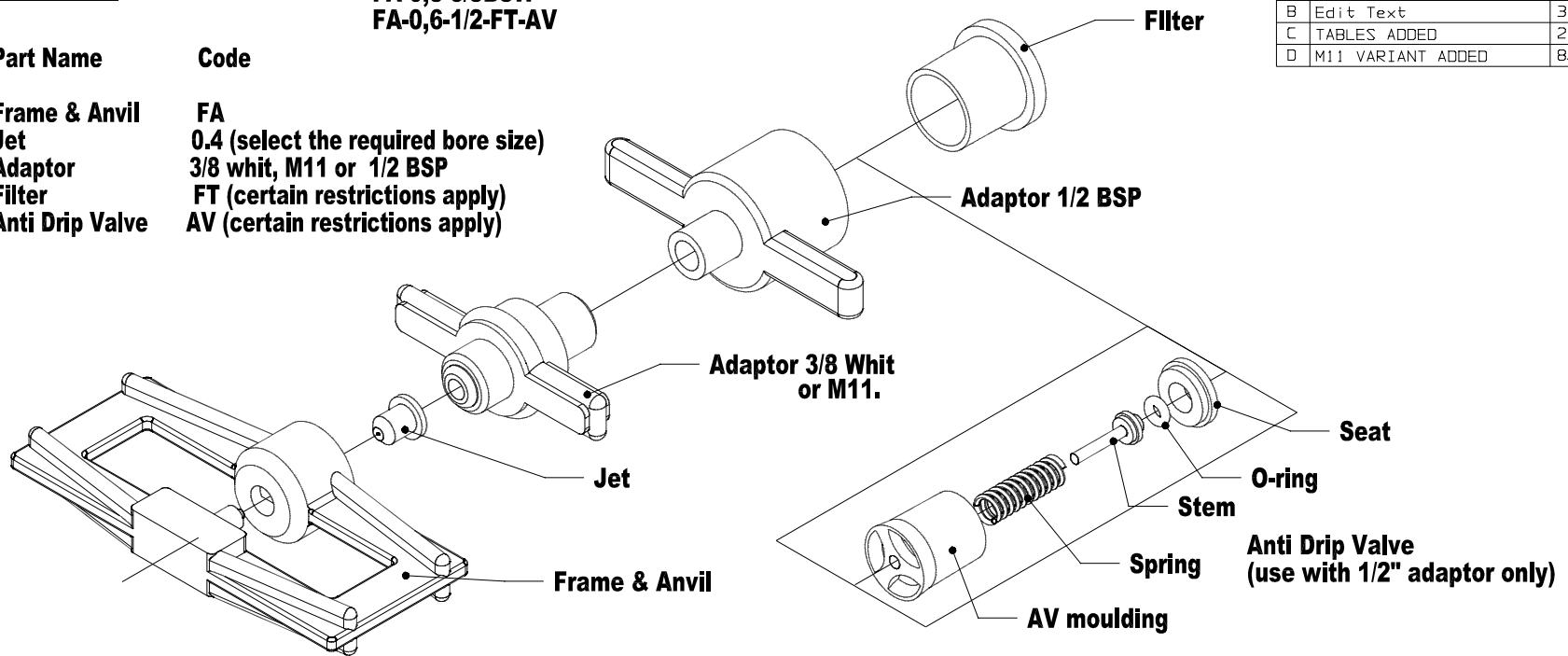


EXAMPLES:
FA-0,8-3/8BSP
FA-0,6-1/2-FT-AV

REVISIONS			
REV	DESCRIPTION	DATE	APPROVED
A	INITIAL	3/02/05	RgB
B	Edit Text	31/3/05	RgB
C	TABLES ADDED	21/4/05	GCB
D	M11 VARIANT ADDED	8/2/07	GCB

Part Name **Code**

Frame & Anvil **FA**
Jet **0.4 (select the required bore size)**
Adaptor **3/8 whit, M11 or 1/2 BSP**
Filter **FT (certain restrictions apply)**
Anti Drip Valve **AV (certain restrictions apply)**



ORDERING CODES (SEE EXAMPLES ABOVE).

FRAME & ANVIL	JET SIZE (mm)	ADAPTOR	FILTER	ANTI-DRIP VALVE
FA	0,4	3/8" WHIT	NOT AVAILABLE	NOT AVAILABLE
	0,5	M 11	NOT AVAILABLE	NOT AVAILABLE
	0,6			
	0,8			
	1,2	1/2" WHIT	FT	AV (IF FILTER FITTED)

Drg. No./Description		Mist Spray Head Assembly	
SIZE	FSCM NO.	Eurotubes™ UK Ltd	REV
SCALE			SHEET A4

This document cannot be copied or transmitted in any way without the expressed written permission of Eurotubes UK.